

# PRODUCT INFORMATION PACKET



Model No: 056T11O5310

Catalog No: 056T11O5310

Refrigeration Motor, 2 & 1.50 HP, 3 Ph, 60 & 50 Hz, 208-230/460 & 190/380 V, 1200 & 1000 RPM,  
56HZ Frame, OPAO



Regal and Leeson are trademarks of Regal Rexnord Corporation or one of its affiliated companies.  
©2024 Regal Rexnord Corporation, All Rights Reserved. MC017097E





### Nameplate Specifications

Phase	3	Output HP	2 & 1.50 Hp
Output KW	1.5 & 1.1 kW	Voltage	208-230/460 & 190/380 V
Speed	1140 & 950 rpm	Service Factor	1.0 & 1.0
Frame	56HZ	Enclosure	Open Air Over
Thermal Protection	Automatic	Efficiency	81.5 & 79 %
Ambient Temperature	70 °C	Frequency	60 & 50 Hz
Current	7.2-6.8/3.4 & 6.6/3.3 A	Power Factor	67
Duty	Continuous	Insulation Class	B
Design Code	NO DESIGN CODE	KVA Code	J
Drive End Bearing Size	6203	Opp Drive End Bearing Size	6203
UL	Recognized ( Not Protector)	CSA	Y
CE	N	IP Code	10
Number of Speeds	1		

### Technical Specifications

Electrical Type	Squirrel Cage Induction Run	Starting Method	Across The Line
Poles	6	Rotation	Reversible
Resistance Main	9 Ohms	Mounting	Rigid Base
Motor Orientation	Horizontal	Drive End Bearing	Ball
Opp Drive End Bearing	Ball	Frame Material	Rolled Steel
Shaft Type	Single Special Extension	Overall Length	16.68 in
Frame Length	9.56 in	Shaft Diameter	0.625 in
Shaft Extension	5.06 in	Assembly/Box Mounting	F1 ONLY
Outline Drawing	A-100166-956	Connection Drawing	A-102007-1

**MASTER BILL OF MATERIAL**

DATA NO. 100166-00		* CUSTOMER		CAMPBELL HAUSFELD		MODEL - M4C34DH5A	
RPM.	3450	H.P.	3/4	Volts	115	FL. Amps	
Hz	60	Frame	NS56	FL. Amps	14.4	FL. Amps	
Phase	1	Type	CD	FL. Amps		FL. Amps	
Cont.	CONT.	Insul. Class	B*	Sen. Factor	SPEC	Max. S.M.B.	40°
Cont.	L		MANUAL	Therm. Prot.	CEJ36CB	Rotation	C.W.L.E.
Design	N	Mounting	RIGID	Encl.	DRIP PROOF	Ext. Diag.	A005113
Paint	BLACK	Assembly	A040001	Out. Dia.	A030001		
Winding	W-C55219-1			Weight		Nameplate	004095
EFF:	66	PF:	64				STAMP CSA

*Have sales check*

**SPECIAL FEATURES:**

- (1) CUSTOMER PART NO. MC-44 (STAMP ON N.P. & EGG CRATE)
- (2) TERMINAL BOARD
- (3) DO NOT ASSEMBLE KEYS IN KEYWAY. KEYS TO BE SHIPPED SEPARATE IN A CARTON.
- (4) HORIZONTAL PACKAGING (307002-12)

Issue	Revision	By	Date
A2	ROTOR & SHAFT WAS 060015-02	ADH	12-22-75
A3	TS JUMPER WAS 16 GA WIRE 000852-01	ADH	1-21-76
A4	ADDED BROWNELL PAGE - CAMPBELL NAMEPLATE WAS 004078	ADH	7-9-76
A5	PACKAGING WAS 307000-06	ADH	11-8-76
A6	#18 1/2 WIRE WAS #21 1/2 (000215-01)	ADH	5-20-77
A7	REWRITTEN - CAMPBELL PKG WAS 307002-01 - ROTOR WAS 020006-06 CAP WAS 003001-21	ADH	8-14-78
A8	ADDED "LR" NO. TO BROWNELL PAGE	ADH	ALL 5-20-79
A9	BROWNELL PKG WAS 307001-08 PER SALES	ADH	1-22-80
A10	ADDED ST = 9 DE	DL	7/6/82
A11	CAP WAS 003001-15 SAME CASE WAS 003101-21	PS	5-3-82
A12	ADDED GRD SCREW & LOCKWASHER (ALL MODELS) ROTOR & SHAFT ASSEM. WAS 0060015-03 - CENT SWITCH WAS 002500-01 AND SP'L LOCATION (STANDARD ONLY) EFF 84213	DL	GWS 6-1-84
A13	BROWNELL ROTOR & SHAFT ASSEMBLY WAS 020015-03 PER ARCH/ENGR.	GWS	APD 8/8/84

Written By ADH | Checked By WRK | Date 11-7-75 | Page 1 of 3

**LEESON ELECTRIC CORPORATION**



REQUEST TYPE PART NUMBER DESCRIPTION UM REQUEST DATE ORD QTY REQUESTOR  
 INDENTED PRODUCT STRUCTURE 100166 00 M4C34DH5A \* 3/4 PC 84226 1

LEVEL NUMBER	SRCE NUMBER	PART NUMBER	DESCRIPTION	UNIT QUANTITY	U/M	GROSS USAGE	EFFECTIVE DATE IN	EFFECTIVE DATE OUT	NET AVAILABLE
1	5	P 005113 01	EXT WIRING DIAG	1.00	PC	1.00	82 118	99 999	
1	5	P 030001 00	OUTLINE	1.00	PC	1.00	82 118	99 999	
1	10	M 100166 01	M4C34DH5*3/4 MC-44	1.00	PC	1.00	82 118	99 999	
2	10	M 015092 01	FRAME/STATOR ASSEM	1.00	PC	1.00	78 296	99 999	
3	11	M 010002 05	FRAME 48 6.0	1.00	PC	1.00	78 296	99 999	
4	4	P 000016 13	16GA MAT'L 6 1/16	1.80	LB	1.80	78 296	99 999	
3	12	P 003305 01	BASE S56 FRAME	1.00	PC	1.00	78 296	99 999	
3	13	M 250282 01	A-55C2C228B-01	1.00	PC	1.00	78 296	99 999	
4	4	M 091002 06	CORE 2.25	1.00	PC	1.00	78 296	99 999	
5	5	P 000522 01	7.5 X 2 13/16 PULY	.04	LB	.04	78 296	99 999	
5	5	P 001002 01	STAT LAM 48/2 3836	79.00	PC	79.00	84 003	99 999	
4	4	P 200237 01	WD3 (NS 55219-3	1.00	PC	1.00	78 296	99 999	
4	4	P 000185 01	MAG WIRE 18.5 CU	1.65	LB	1.65	78 296	99 999	
4	4	P 000200 01	MAG WIRE 20.1 CU	.82	LB	.82	78 296	99 999	
3	330	P 003700 01	BAFFLE 24 GA 48	1.00	PC	1.00	78 296	99 999	
2	50	M 060015 11	ROTOR/SHAFT ASSEM	1.00	PC	1.00	84 213	99 999	
3	51	M 050001 05	SHAFT	1.00	PC	1.00	84 213	99 999	
4	4	P 000607 01	BAR .750 RD C1144	1.24	LB	1.24	78 296	99 999	
3	52	M 070010 06	2.25CORE 4405 4406	1.00	PC	1.00	84 213	99 999	
4	4	P 000700 01	RJOR ALUM AL00.0	.55	LB	.55	78 296	99 999	
4	4	P 001003 07	ROT LAM 48/2 3833	79.00	PC	79.00	84 004	99 999	
3	255	M 006195 01	CENT. SWITCH 2P-60	1.00	PC	1.00	84 213	99 999	
4	410	P 006191 01	ROT. SWITCH SPOOL	1.00	PC	1.00	83 342	99 999	
4	410	P 006192 01	ROT. SWITCH BASE	1.00	PC	1.00	83 342	99 999	
4	410	P 006209 01	GASKET-ROT SWITCH	1.00	PC	1.00	83 342	99 999	
4	460	P 006193 01	2P ROT SWITCH MGT	2.00	PC	2.00	83 342	99 999	
4	460	P 006194 01	2P ROT SW SPR NAT	2.00	PC	2.00	83 342	99 999	
3	295	P 003500 01	FAN 18 GA INT 48	1.00	PC	1.00	84 213	99 999	
3	410	P 006001 01	BEARING SPACER 16	2.00	PC	2.00	84 213	99 999	
3	3	P 002004 03	203 DBL SHD SKI 2	2.00	PC	2.00	84 213	99 999	
2	100	M 400102 01	ENDBELL ASSEMBLY	1.00	PC	1.00	78 296	99 999	
3	150	M 021001 02	MACHINED ENDBELL	1.00	PC	1.00	78 296	99 999	
4	151	M 020001 01	AL ENB BICB 203 DP	1.00	PC	1.00	78 296	99 999	
5	410	P 006000 03	BKG INSERT 213	1.00	PC	1.00	78 296	99 999	
5	5	P 000701 01	ALUMINUM 380 3X	.70	LB	.70	81 264	99 999	
3	265	M 002750 01	STATIONARY SWITCH	1.00	PC	1.00	78 296	99 999	

REQUEST TYPE PART NUMBER DESCRIPTION UM REQUEST DATE ORD QTY REQUESTOR

INDENTED PRODUCT STRUCTURE 100166 00 M4C34DH5A \* 3/4 PC 84226 1

LEVEL NUMBER SKCE NUMBER PART DESCRIPTION QUANTITY U/M UNIT GROSS USAGE EFFECTIVE DATES IN OUT NET AVAILABLE

4	410	P	006138 01	EVELET - RIVET	7.00	PC	7.00	61	173	99	999	
4	410	P	006138 02	EVELET - RIVET	2.00	PC	2.00	81	173	99	999	
4	410	P	006139 01	WEAR BUTTON	2.00	PC	2.00	91	173	99	999	
4	410	P	006140 01	REED TENSOR	1.00	PC	1.00	81	173	99	999	
4	410	P	006141 01	REED TENSOR W/TERM	1.00	PC	1.00	81	173	99	999	
4	410	P	006142 01	REED STAT SWITCH	1.00	PC	1.00	81	173	99	999	
4	410	P	006143 01	REED RETAINER	1.00	PC	1.00	81	173	99	999	
4	410	P	006144 01	UPPER CONTACT SIDP	1.00	PC	1.00	81	173	99	999	
4	410	P	006146 01	STAT. SWITCH BASE	1.00	PC	1.00	81	173	99	999	
4	410	P	006157 01	CONTACT RIVET ASSEM	1.00	PC	1.00	81	173	99	999	
5	410	P	006137 02	CONTACT RIVET	1.00	PC	1.00	83	332	99	999	
5	410	P	006145 01	CONTACT TERMINAL	1.00	PC	1.00	83	332	99	999	
4	410	P	006158 01	REED&CONTACT RIVET	1.00	PC	1.00	81	173	99	999	
5	410	P	006137 02	CONTACT RIVET	1.00	PC	1.00	83	332	99	999	
5	410	P	006142 01	REED STAT SWITCH	1.00	PC	1.00	83	332	99	999	
3	285	P	300021 02	PROT MAN CEJ36CB	1.00	PC	1.00	78	296	99	999	
3	380	M	885210 01	JUMPER ASSEMBLY	1.00	PC	1.00	78	296	99	999	
4	400	P	000850 10	A-L63168L-6 (P1)	.50	FT	.50	78	296	99	999	
4	410	P	006010 02	FLAG FASTON	1.00	PC	1.00	78	296	99	999	
3	380	M	885201 01	JUMPER ASSEMBLY	1.00	PC	1.00	78	296	99	999	
4	400	P	000852 01	A-L63168L-8 (T5)	.67	FT	.67	78	296	99	999	
4	410	P	006010 02	FLAG FASTON	1.00	PC	1.00	78	296	99	999	
3	405	P	003912 01	TERM BOARD ASSEM	1.00	PC	1.00	78	296	99	999	
3	410	P	006030 01	PROTECTOR GASKET	1.00	PC	1.00	78	296	99	999	
3	460	P	009000 01	TFS 8-32X.38 PP ZP	2.00	PC	2.00	78	296	99	999	
3	460	P	009000 03	TFS 8-32X.50 PP ZP	4.00	PC	4.00	78	296	99	999	
3	460	P	009000 11	TCS 6-32X.38PP ZPG	1.00	PC	1.00	84	213	99	999	
2	150	M	021000 01	MACHINED ENDBELL	1.00	PC	1.00	78	296	99	999	
3	151	M	020000 01	AL END SE 203 OPEN	1.00	PC	1.00	78	296	99	999	
4	410	P	006000 03	BRG INSERT 293	1.00	PC	1.00	78	296	99	999	
4	410	P	000701 01	ALUMINUM 380 3X	.69	LB	.69	78	296	99	999	
2	225	P	003203 01	CONDUIT BOX COVER	1.00	PC	1.00	78	296	99	999	
2	235	P	003224 15	CAPAC 50JMF 125V	1.00	PC	1.00	83	213	99	999	
2	245	P	003108 01	CAPACITOR CASE	1.00	PC	1.00	83	213	99	999	
2	350	P	003800 03	8-32X 7 3/4 T-BOLT	4.00	PC	4.00	78	296	99	999	
2	360	P	004300 03	WAVY SPRING	1.00	PC	1.00	78	296	99	999	

REQUEST TYPE PART NUMBER DESCRIPTION UM REQUEST DATE ORD QTY REQUESTOR

INDENTED PRODUCT STRUCTURE 100166 00 M4C34DH5A \* 3/4 PC 84226 1

LEVEL PART SRCE NUMBER DESCRIPTION QUANTITY U/M UNIT GROSS USAGE EFFECTIVE DATES NET AVAILABLE

LEVEL	PART	SRCE NUMBER	DESCRIPTION	QUANTITY	U/M	UNIT	GROSS USAGE	EFFECTIVE DATES	NET AVAILABLE
2	360	P 004301 01	SHIM .060 THK 203	1.00	PC		1.00	78 296	99 999
2	380	M 680310 02	JUMPER ASSEMBLY	1.00	PC		1.00	78 296	99 999
3	400	P 000803 10	A-L6B188L-6 (16)	.50	FT		.50	78 296	99 999
3	410	P 006010 02	FLAG FASTON	2.00	PC		2.00	78 296	99 999
2	410	P 006002 01	KEY 3/16 X 1.38	1.00	PC		1.00	78 296	99 999
2	410	P 006023 01	HOLE PLUG	1.00	PC		1.00	78 296	99 999
2	410	P 006028 01	LEAD HOLE BUSHING	1.00	PC		1.00	78 296	99 999
2	460	P 009000 01	IFS 8-32X.38 PP ZP	4.00	PC		4.00	78 296	99 999
2	460	P 009001 01	HMSN 8-32 ZP	4.00	PC		4.00	78 296	99 999
2	470	P 305002 01	BLACK AQUA ENAMEL	.01	GA		.01	78 296	99 999
2	480	P 004005 01	DECAL MANUAL PROJ	1.00	PC		1.00	78 296	99 999
2	480	P 004095 01	MYLAR NAMEPLATE	1.00	PC		1.00	78 296	99 999
2	700	M 307002 12	HORIZ 15PAC W/SKID	1.00	PC		1.00	78 296	99 999
3		P 306101 01	PLYWOOD SKID	1.00	PC		1.00	78 296	99 999
3		P 306173 01	WOOD PALLET 36X42	.02	PC		.02	78 296	99 999
3		P 306238 01	BOX BOTTOM	.07	PC		.07	78 296	99 999
3		P 306239 01	LINER	.07	PC		.07	78 296	99 999
3		P 306240 04	PARTITION	.27	PC		.27	78 296	99 999
3		P 306241 02	PARTITION	.14	PC		.14	82 132	99 999
3		P 306246 01	HORIZ PACK COVER	.02	PC		.02	82 132	99 999

REQUEST TYPE PART NUMBER DESCRIPTION UM REQUEST DATE ORD QTY REQUESTOR

INDENTED PRODUCT STRUCTURE 100166 20 MB4C34DH5A \* M201 PC 84226 1

LEVEL NUMBER PART NUMBER DESCRIPTION UNIT QUANTITY U/M GROSS USAGE EFFECTIVE DATES IN OUT NET AVAILABLE

LEVEL NUMBER	PART NUMBER	DESCRIPTION	UNIT	QUANTITY	U/M	GROSS USAGE	EFFECTIVE DATES	IN	OUT	NET AVAILABLE
1	5	P 005113 01 EXT WIRING DIAG	1.00	PC	1.00	82 118	99 999			
1	5	P 030001 00 OUTLINE	1.00	PC	1.00	82 118	99 999			
1	10	M 100166 21 MB4C34DH5 * M201	1.00	PC	1.00	82 118	99 999			
2	10	M 015092 01 FRAME/STATOR ASSEM	1.00	PC	1.00	78 296	99 999			
3	11	M 010002 05 FRAME 48 6.0	1.00	PC	1.00	78 296	99 999			
4	4	P 000016 13 16GA MAT'L 6 1/16	1.80	LB	1.80	78 296	99 999			
3	12	P 003305 01 BASE S56 FRAME	1.00	PC	1.00	78 296	99 999			
3	13	M 250262 01 A-55C2C2288-01	1.00	PC	1.00	78 296	99 999			
4	4	M 091002 06 CORE 2.25	1.00	PC	1.00	78 296	99 999			
5	5	P 000522 01 7.5 X 2 13/15 POLY	.04	LB	.04	78 296	99 999			
5	5	P 001002 01 STATOR LAM 48/2 3836	79.00	PC	79.00	84 003	99 999			
4	4	P 200237 01 MDG INS C55219-3	1.00	PC	1.00	78 296	99 999			
4	4	P 000165 01 MAG WIRE 18.5 CU	1.65	LB	1.65	78 296	99 999			
4	4	P 000200 01 MAG WIRE 20.0 CU	.82	LB	.82	78 296	99 999			
3	330	P 003700 01 BAFFLE 24 GA 48	1.00	PC	1.00	78 296	99 999			
50	50	M 060015 11 ROTOR/SHAFT ASSEM	1.00	PC	1.00	84 226	99 999			
3	51	M 050001 05 SHAFT	1.00	PC	1.00	84 213	99 999			
4	4	P 000607 01 BAR .750 RD C1144	1.24	LB	1.24	78 296	99 999			
3	52	M 070010 06 2.25CCRE 4405 4406	1.00	PC	1.00	84 213	99 999			
4	4	P 000700 01 ROTOR ALUM AL00.0	.55	LB	.55	78 296	99 999			
4	4	P 001903 07 ROT LAM 48/2 3833	79.00	PC	79.00	84 004	99 999			
3	255	M 006195 01 CENT. SWITCH 2P-60	1.00	PC	1.00	84 213	99 999			
4	410	P 006191 01 ROT. SWITCH SPOOL	1.00	PC	1.00	83 342	99 999			
4	410	P 006192 01 ROT. SWITCH BASE	1.00	PC	1.00	83 342	99 999			
4	410	P 006209 01 GASKET-ROT SWITCH	1.00	PC	1.00	83 342	99 999			
4	460	P 006193 01 2P ROT SWITCH4 MGT	2.00	PC	2.00	83 342	99 999			
4	460	P 006194 01 2P ROT SM SPR NAT	2.00	PC	2.00	83 342	99 999			
3	295	P 003500 01 FAN 18 GA INT 48	1.00	PC	1.00	84 213	99 999			
3	410	P 006001 01 BEARING SPACER 16	2.00	PC	2.00	84 213	99 999			
3	100	P 002004 03 203 DBL SHD SRI 2	2.00	PC	2.00	84 213	99 999			
3	150	M 400102 01 ENDBELL ASSEMBLY	1.00	PC	1.00	78 296	99 999			
4	151	M 021001 02 MACHINED ENDBELL	1.00	PC	1.00	78 296	99 999			
4	151	M 020001 01 AL ENB BICB 203 DP	1.00	PC	1.00	78 296	99 999			
5	410	P 006000 03 BKG INSERT 203	1.00	PC	1.00	78 296	99 999			
5	5	P 000701 01 ALUMINUM 180 32	.70	LB	.70	81 264	99 999			
3	265	M 002750 01 STATIONARY SWITCH	1.00	PC	1.00	78 296	99 999			

REQUEST TYPE PART NUMBER DESCRIPTION UM REQUEST DATE ORD QTY REQUESTOR

INDENTED PRODUCT STRUCTURE 103166 20 MB4C34DH5A \* M201 PC 84226 I

LEVEL PART SRCE NUMBER DESCRIPTION UNIT QUANTITY U/M GROSS EFFECTIVE DATES NET AVAILABLE

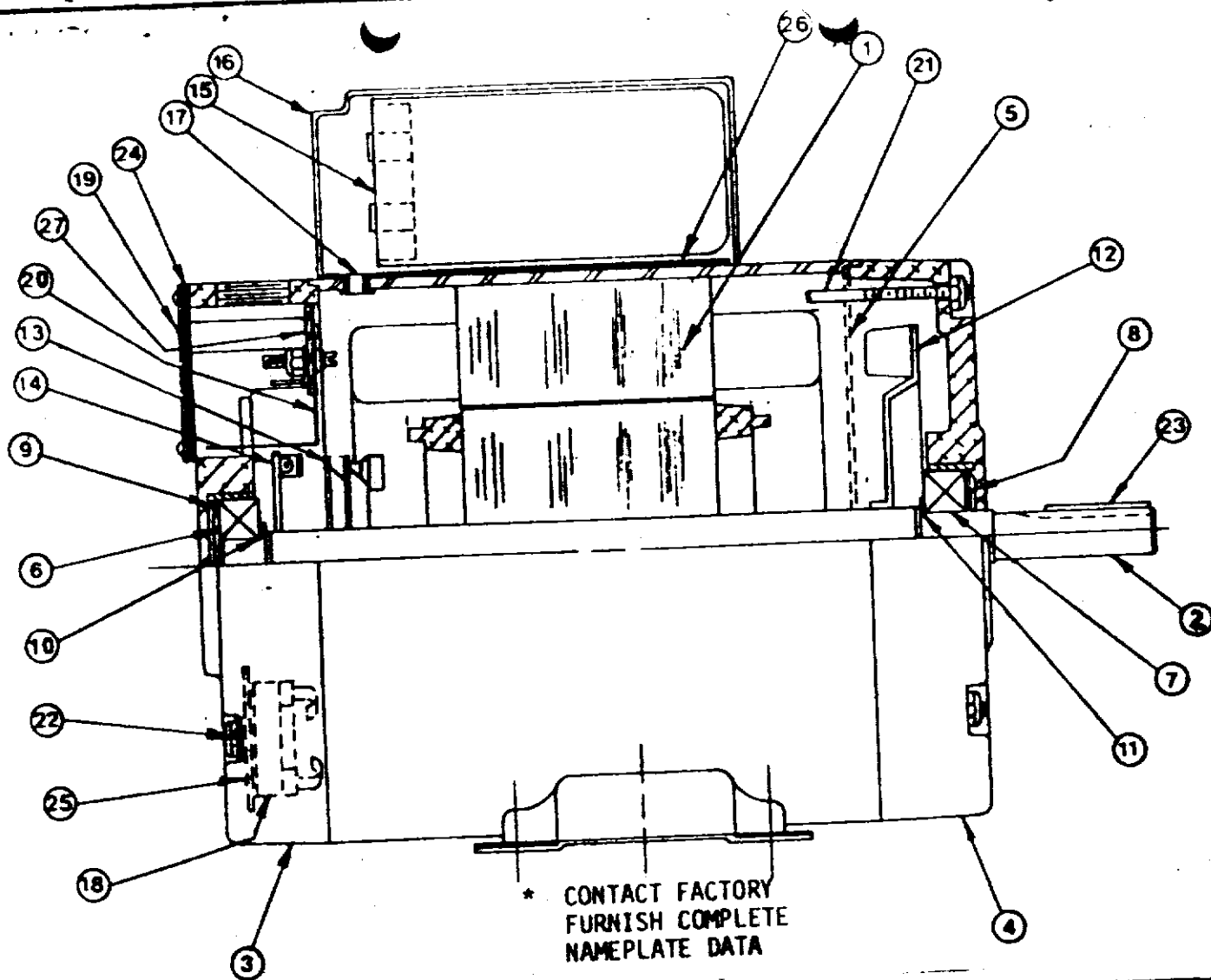
LEVEL	PART	SRCE NUMBER	DESCRIPTION	UNIT	QUANTITY	U/M	GROSS USAGE	EFFECTIVE IN	DATES OUT	NET AVAILABLE
4	410	P	006138 01 EYELET - RIVET	7.00	PC	7.00	81 173	99 999		
4	410	P	006138 02 EYELET - RIVET	2.00	PC	2.00	81 173	99 999		
4	410	P	006139 01 WEAR BUTTON	2.00	PC	2.00	81 173	99 999		
4	410	P	006140 01 REED TENSOR	1.00	PC	1.00	81 173	99 999		
4	410	P	006141 01 REED TENSOR W/TERM	1.00	PC	1.00	81 173	99 999		
4	410	P	006142 01 REED STAT SWITCH	1.00	PC	1.00	81 173	99 999		
4	410	P	006143 01 REED RETAINER	1.00	PC	1.00	81 173	99 999		
4	410	P	006144 01 UPPER CONTACT SIOP	1.00	PC	1.00	81 173	99 999		
4	410	P	006146 01 STAT. SWITCH BASE	1.00	PC	1.00	81 173	99 999		
4	410	P	006157 01 CONTACT RIVET ASSEM	1.00	PC	1.00	81 173	99 999		
5	410	P	006137 02 CONTACT RIVET	1.00	PC	1.00	83 332	99 999		
5	410	P	006145 01 CONTACT TERMINAL	1.00	PC	1.00	83 332	99 999		
4	410	P	006158 01 REED CONTACT RIVET	1.00	PC	1.00	81 173	99 999		
5	410	P	006137 02 CONTACT RIVET	1.00	PC	1.00	83 332	99 999		
5	410	P	006142 01 REED STAT SWITCH	1.00	PC	1.00	83 332	99 999		
3	285	P	30021 92 PKDT MAN CEJ36CB	1.00	PC	1.00	78 296	99 999		
3	380	M	68510 01 JUMPER ASSEMBLY	1.00	PC	1.00	78 296	99 999		
4	400	P	000850 10 A-L68168L-6 (PI)	.50	FT	.50	78 296	99 999		
4	410	P	006010 02 FLAG FASTON	1.00	PC	1.00	78 296	99 999		
3	380	M	885201 01 JUMPER ASSEMBLY	1.00	PC	1.00	78 296	99 999		
4	400	P	000852 01 A-L63168L-8 (15)	.67	FT	.67	78 296	99 999		
4	410	P	006010 02 FLAG FASTON	1.00	PC	1.00	76 296	99 999		
3	405	P	003912 01 TERM BOARD ASSEM	1.00	PC	1.00	78 296	99 999		
3	410	P	006030 01 PROJECTOR GASKET	1.00	PC	1.00	78 296	99 999		
3	460	P	009000 01 TFS 8-32X.36 PP ZP	2.00	PC	2.00	78 296	99 999		
3	460	P	009000 03 TFS 8-32X.50 PP ZP	4.00	PC	4.00	78 296	99 999		
3	460	P	009000 11 TFS 6-32X.36PP ZPG	1.00	PC	1.00	84 213	99 999		
2	150	M	021000 01 MACHINED ENDBELL	1.00	PC	1.00	76 296	99 999		
3	151	M	020000 01 AL ENB SE 203 OPEN	1.00	PC	1.00	76 296	99 999		
4	410	P	006000 03 BRG INSERT 203	1.00	PC	1.00	78 296	99 999		
4	4	P	000701 01 ALUMINUM 380 34	.69	LB	.69	78 296	99 999		
2	225	P	003203 01 CONDUIT 3UX COVER	1.00	PC	1.00	78 296	99 999		
2	235	P	003024 15 CAPAC 500MFD 125V	1.00	PC	1.00	83 213	99 999		
2	245	P	003106 01 CAPACITOR CASE	1.00	PC	1.00	83 213	99 999		
2	350	P	003000 03 8-32X 7 3/4 I-BDLI	4.00	PC	4.00	76 296	99 999		
2	360	P	004300 03 WAVY SPRING	1.00	PC	1.00	78 296	99 999		

REQUEST TYPE PART NUMBER DESCRIPTION UM REQUEST DATE ORD QTY REQUESTOR

INDENTED PRODUCT STRUCTURE 100166 20 M84C34DH5A \* M201 PC 84226 1

LEVEL NUMBER SRCE NUMBER PART NUMBER DESCRIPTION QUANTITY U/M UNIT GROSS USAGE EFFECTIVE DATES IN OUT NET AVAILABLE

2	360	P	004301	01	SHIM .06) THK 203	1.00	PC	1.00	78	296	99	999	
2	380	M	680310	02	JUMPER ASSEMBLY	1.00	PC	1.00	78	296	99	999	
3	400	P	000803	10	A--6B18BL-6 (16)	.50	FT	.50	78	296	99	999	
3	410	P	006010	02	FLAG FASTON	2.00	PC	2.00	78	296	99	999	
2	410	P	006002	01	KEY 3/16 X 1.38	1.00	PC	1.00	78	296	99	999	
2	410	P	006023	01	HO-E PLUG	1.00	PC	1.00	78	296	99	999	
2	410	P	006026	01	LEAD HOLE BUSHING	1.00	PC	1.00	78	296	99	999	
2	460	P	009000	01	IFS 8-32X.38 PP ZP	4.00	PC	4.00	78	296	99	999	
2	460	P	009001	01	HMSN 8-32 ZP	4.00	PC	4.00	78	296	99	999	
2	470	P	305002	01	BLACK AQUA ENAMEL	.01	GA	.01	78	296	99	999	
2	480	P	004005	01	DECAL MANUAL PROT	1.00	PC	1.00	78	296	99	999	
2	480	P	004122	01	NAMEPLATE-LELAND	1.00	PC	1.00	78	296	99	999	
2	480	P	004136	01	DECAL MYLAR	1.00	PC	1.00	82	033	99	999	
2	480	P	080072	01	BRWN C-LABEL M-201	1.00	PC	1.00	81	293	99	999	
2	700	M	307011	17	INDIVIDUAL CARTON	1.00	PC	1.00	80	053	99	999	
3		P	306039	01	CARTON L FARADAY	1.00	PC	1.00	78	296	99	999	
3		P	306173	01	WOLD PALLET 56X42	.02	PC	.02	78	296	99	999	
3		P	306191	01	DC LINER FOR STRAP	1.00	PC	1.00	78	296	99	999	
3		P	306199	01	SKID14.38X7.75X.25	1.00	PC	1.00	78	296	99	999	



ITEM	DESCRIPTION	QTY	PART NO.	ITEM	DESCRIPTION	QTY	PART NO.
1	FRAME & STATOR ASSEMBLY	1	*	17	BUSHING	1	006028-01
2	ROTOR & SHAFT ASSEMBLY	1	*	18	PROTECTOR	1	300021-02
3	FRONT ENDBELL	1	021001-02	19	CONDUIT BOX COVER	1	003203-01
4	REAR ENDBELL	1	021000-01	20	CONDUIT BOX BOTTOM	1	
5	BAFFLE	1	003700-01	21	THRU BOLT	4	003800-03
6	FRONT BEARING	1	002003-03	22	THRU BOLT WASHER	4	
7	REAR BEARING	1	002003-03	23	KEY	1	006002-01
8	WAVY SPRING	1	004300-03	24	CONDUIT BOX COVER GASKET	1	
9	SHIM	1	004301-01	25	PROTECTOR GASKET	1	006030-01
10	FRONT BRG. SPACER	1	006001-01	26	CAPACITOR CASE GASKET	1	
11	REAR BRG. SPACER	1	006001-01	27	TERMINAL BOARD	1	003912-01
12	FAH	1	003500-01				
13	CENTRIFUGAL SWITCH	1	002500-01				
14	STATIONARY SWITCH	1	002750-01				
15	CAPACITOR	1	003001-21				
15a							
16	CAPACITOR CASE	1	003101-01				
16a							

M4C34DH5A  
M4C34DH7A

100166-01  
100214-01

**LEESON ELECTRIC CORPORATION**  
Grafton, Wisconsin 53024

DRWG

PARTS LIST

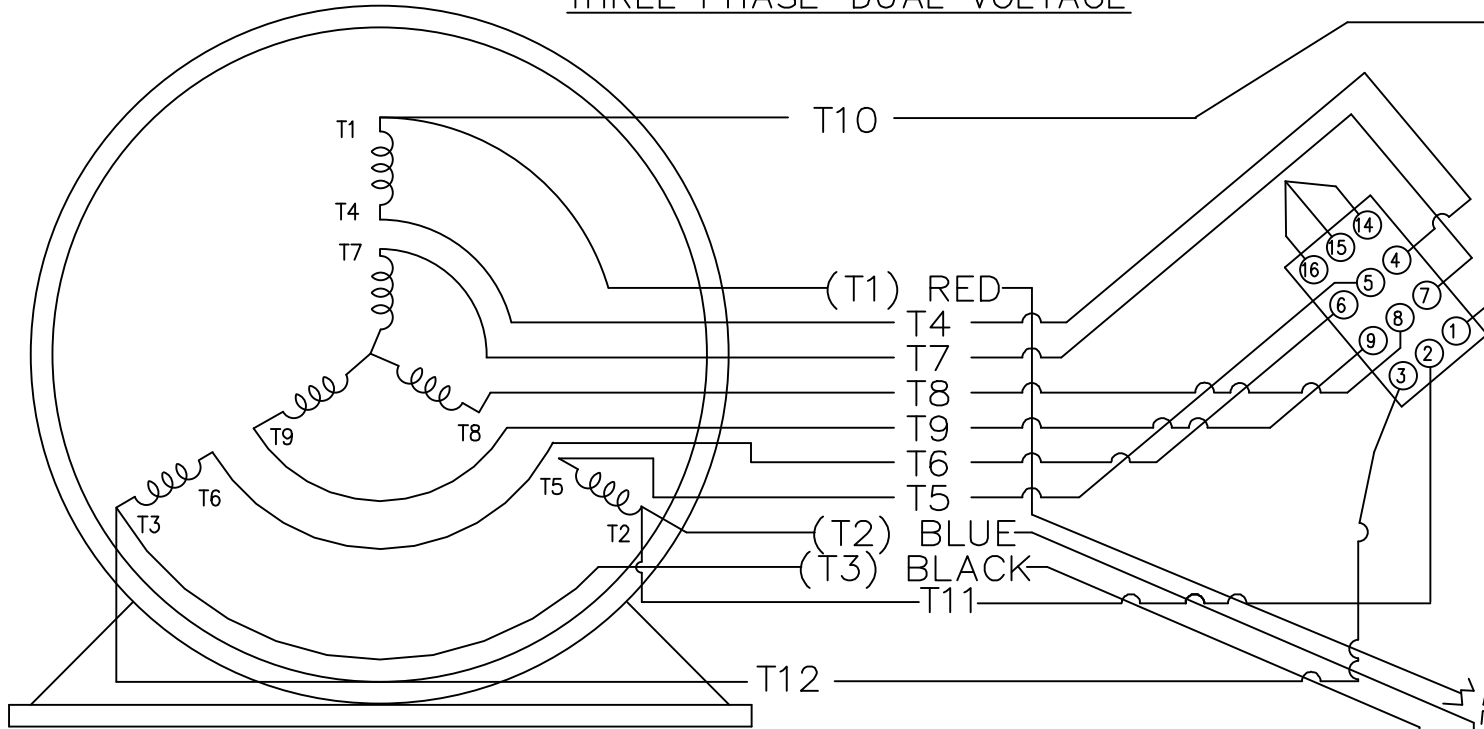
CHK'D

APP'D

MODEL M4C34DH5A, M4C34DH7A.

SCALE

THREE PHASE-DUAL VOLTAGE

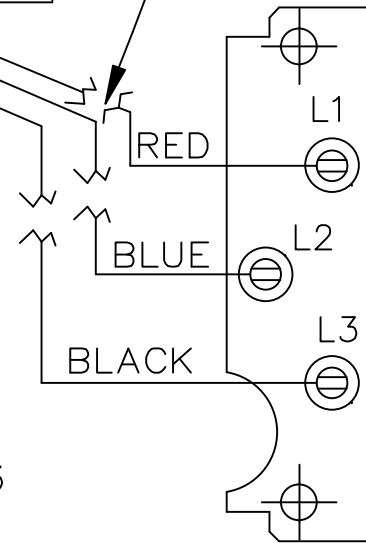


NUMBERS SHOWN ON TERM BOARD ARE FOR REF. ONLY. NUMBERS DO NOT APPEAR ON PARTS.

(VIEWING BOTTOM OF VCD)

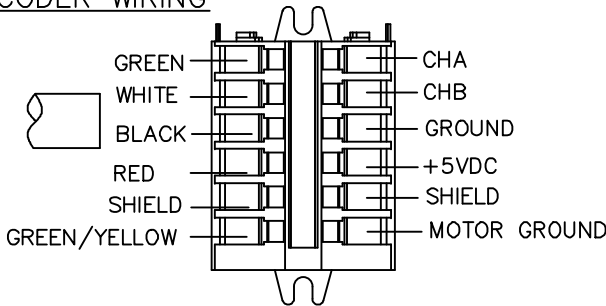
CONNECT RESPECTIVE LEADS USING 79944-3 AND 79944-1 TERMS (3 PLACES)

VIEW OF TERMINAL END

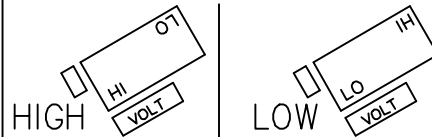


VIEWING BOTTOM OF TERMINAL BOARD

ENCODER WIRING



TO CHANGE VOLTAGE, PULL PLUG, ROTATE 180° AND REINSERT



CONNECT LINES TO L1, L2 & L3

				TOLERANCES UNLESS SPECIFIED		REGAL-BELOIT <i>Motor Technologies Group</i>	DRAWN UD 04/24/2012			
				DEC.	INCHES		CHK AP 04/24/2012			
				.X	± -	TITLE CONNECTION DIAGRAM 3 φ - DUAL VOLTAGE MOTOR	APPD RD 04/24/2012	SCALE 1=1		
2	ADDED NOTE FOR CONNECTING TERM BOARD LEADS	AP 08/09/2012		.XXX	± -		REF 102007-2			
1	ADDED ENCODER WIRING & GROUND LEAD	UD 07/12/12	AP	.XXXX	± -		FMF MU107755			
NO.	REVISION	BY & DATE	CHK ANG	± -	FINISH		PREV			
THIS DRAWING IN DESIGN AND DETAIL IS OUR PROPERTY AND MUST NOT BE USED EXCEPT IN CONNECTION WITH OUR WORK ALL RIGHTS OF DESIGN AND INVENTION ARE RESERVED THIS IS AN ELECTRONICALLY GENERATED DOCUMENT - DO NOT SCALE THIS PRINT				RFP		CAD FILE 102007-16	SIZE A	DRAWING NO. 102007-16	PAGE OF 1	REV. 1
				DIST WP						

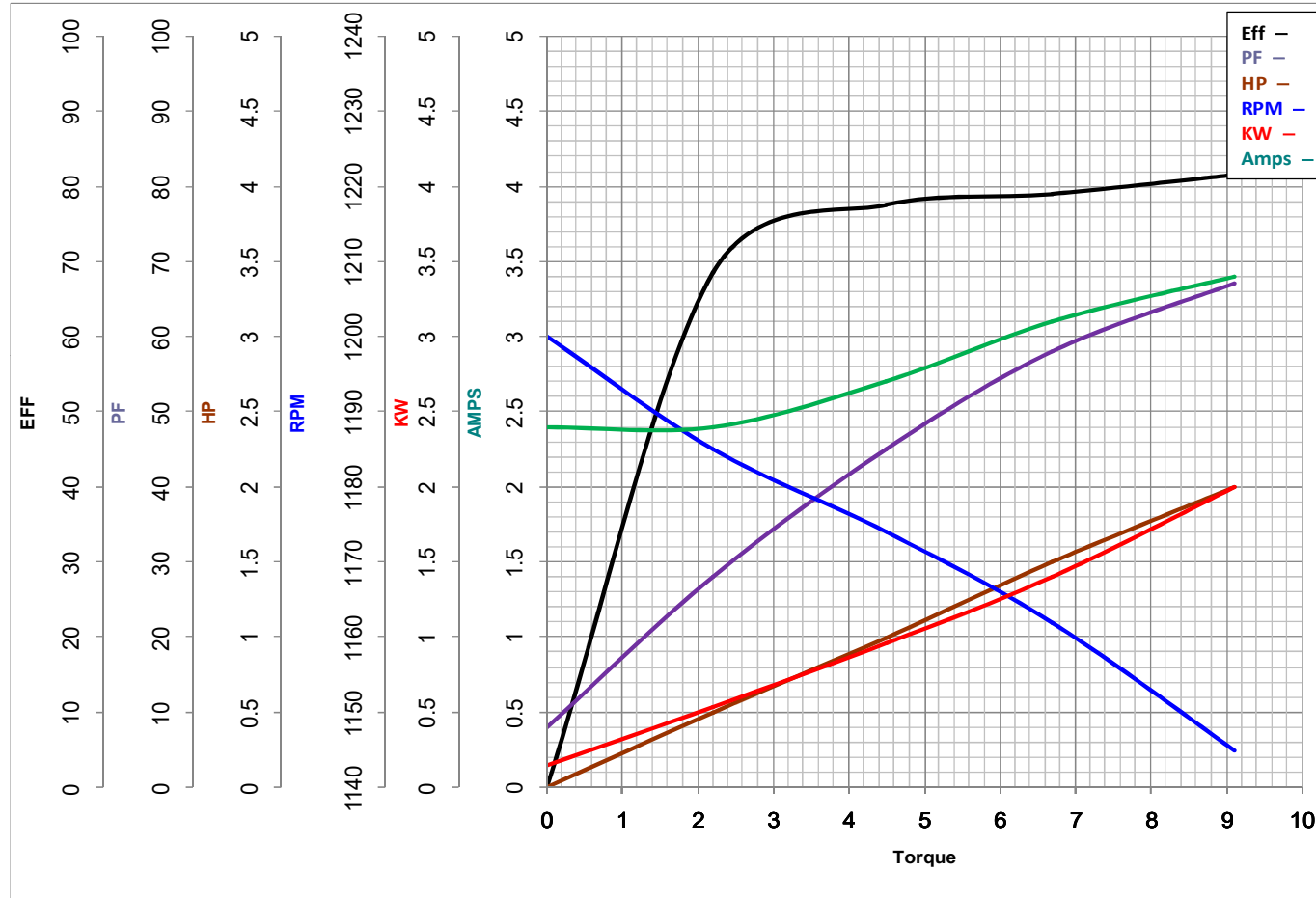


FORM 3531 REV.3 02/07/99  
\*\* Subject to change without notice.



**MARATHON ELECTRIC CORPORATION**  
TYPICAL PERFORMANCE CURVE for AC MOTOR

Customer \_\_\_\_\_ Curve at 460 Volts HP 2&1.5 PHASE 3  
 Model No 56T1105310 60 HZ  
2 HP VOLTS 208-230/460&190/380  
 Catalog No X525 HZ 60&50 RPM 1140&950



Torque in Lb.Ft

FL TORQUE 9.1 Lb.Ft  
 BD TORQUE 29.5 Lb.Ft  
 LR TORQUE 25.6 Lb.Ft

FL AMPS 7.2-6.8/3.4  
 PU TORQUE 26.0 Lb.Ft  
 LR AMPS 19.8

WINDING ZT600-3

Date 1/23/2019